



Precision and flexibility

- Proportional control of movements
- Hydrostatic transmission and inching pedal

Compact and versatile

- 16 ft length
- Short turning radius
- High safety cab

Comfort and ergonomy

- Driving position reduces fatigue at work
- LMI easy to read with cut off dangerous movements
- Tilt corrector as standard
- Smart control 4 in 1 joystick



Maximum fork height:
32 ft 10 in



Maximum lift capacity:
7717 lbs



HTL 7732



Telehandler



Maximum fork height: 32 ft 10 in

Maximum lift capacity: 7717 lbs



PERFORMANCE

Maximum lift capacity	7717 lbs
Lift capacity to full height	4410 lbs
Lift capacity at full reach	1102 lbs
Maximum fork height	32 ft 10 in
Reach at maximum fork height	7 ft 3 in
Maximum forward reach	23 ft 7 in



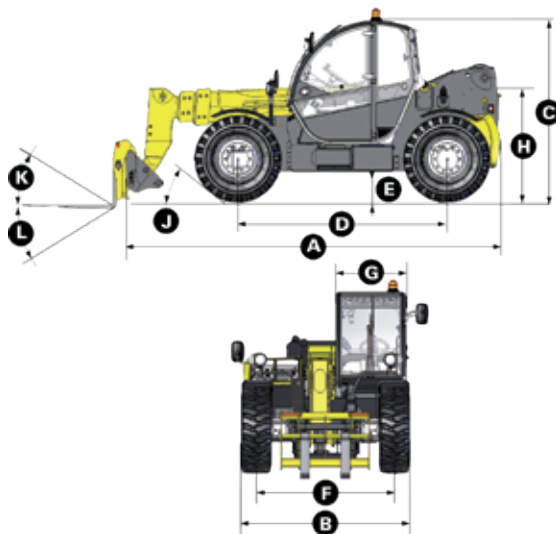
DIMENSIONS

A Length	16 ft 3 in
B Width	7 ft 5 in
C Height	7 ft 11 in
D Wheelbase	9 ft 1 in
E Ground clearance	16.5 in
F Track width	6 ft 2 in
G Cab width	3 ft 2 in
H Height to high boom pivot	5 ft 3 in
J Approach angle	30°
K Upper rotation of forks	18°
L Lower rotation of forks	104°
Outside turning radius	12 ft 2 in
Weight with forks	18257 lbs
Tires type	405/70 - 24



Engine

Engine model	KOHLER TIER IV FINAL
Engine capacity	207.4 in ³
Engine power output	55.4kW - 74hp @ 2200rpm
Engine torque	375Nm @ 1400rpm
Transmission type	Hydrostatic
Fuel tank	31.7 gal
Engine oil	3.9 gal

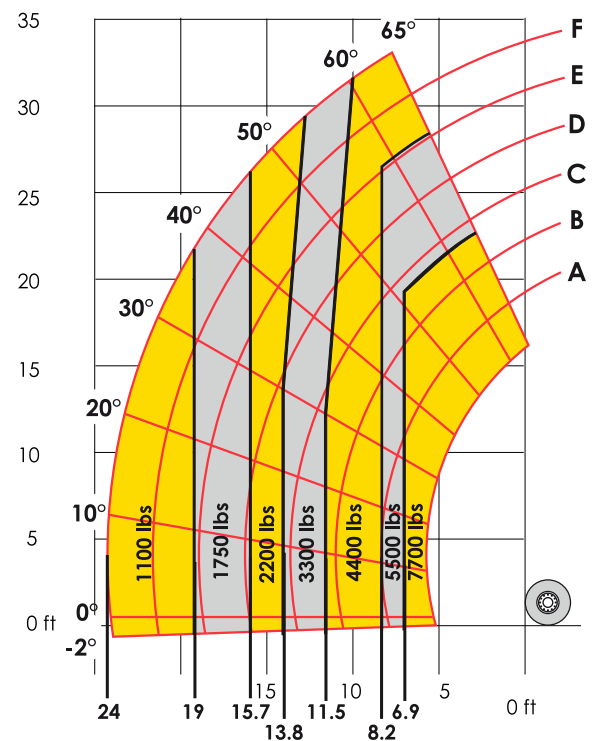


STANDARD EQUIPMENT

- Heavy duty Hydrostatic transmission with variable capacity pump and engine
- ROPS/FOPS cabin with heating and ventilation
- Tilt corrector: +/- 10°
- Overload / dangerous movements cut out switch
- Auxiliary hydraulic ports
- Safety valves on hydraulic jacks
- Proportional controls for movement of boom/telescopic arm/excavation and accessories
- Gear equipment pump
- 4 wheel drive and steer
- Backlighted e-tronic dashboard

OPTIONS AND ACCESSORIES

- Winches
- Electrically hydraulic controls
- Biodegradable oil
- Cold environment oil
- Hot environment oil
- Air conditioning
- Working lights
- Buckets
- Jibs



Non-contractual document. We reserve the right to change the technical characteristics of this document without notice. 01/2018