

## ROUGH TERRAIN TELESCOPIC BOOMS



# HT61 RT 0 HT61 RT PRO

### Outstanding performance

- 66 ft working height
- 52 ft 1 in maximum outreach

### Exceptional productivity

- Best lifting speed of 56s
- Fully proportional and simultaneous movements

### Reliable safety and comfort

- Rigid boom
- Single control for both steering axles

### Optimized maintenance time

- Easy access to all components
- Easy boom maintenance
- Fully modular basket with upper control box cover and tool tray
- Haulotte Activ'Shield™ Bar (optional)
- ACTIV'Screen diagnostic display for fault and service alerts



**Haulotte**   
GROUP

More than lifting

[www.haulotte-usa.com](http://www.haulotte-usa.com)



# HT61 RT 0 / RT PRO

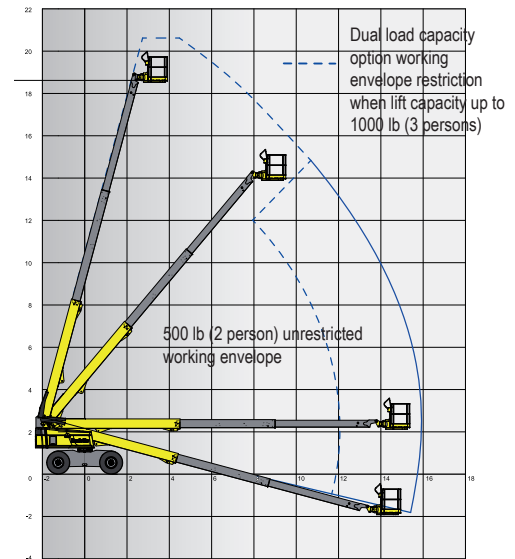
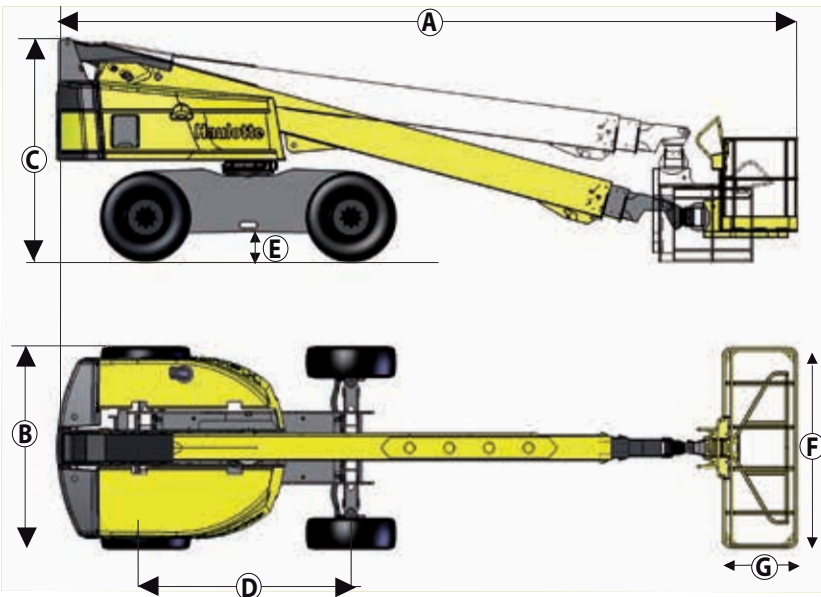
## ROUGH TERRAIN TELESCOPIC BOOMS



### TECHNICAL DATA

**HT61 RT 0** 2WS      **HT61 RT PRO** 4WS

Working height	67 ft	
Platform height	61 ft	
Horizontal outreach	52 ft 5 in	
Below ground reach	6 ft 7 in	
Lift capacity	500 lbs (2 persons)	
<b>F</b> x <b>G</b> Platform size	8 ft x 3 ft	
<b>A</b> Length	29 ft 7 in	
<b>B</b> Overall width	8 ft 1 in	
<b>C</b> Height - stowed	8 ft 11 in	
Platform rotation	175° (+85/-90)	
Boom rotation angle	90° (+75/-15)	
Turntable rotation	360° continuous	
Tailswing	3 ft 7 in	
<b>D</b> Wheelbase	8 ft 2 in	
<b>E</b> Ground clearance	14 in	
Tilt alarm	5°	
Drive speed	0.3 - 4.0 mph	
Gradeability	40 %	
Turning radius - outside	20 ft 8 in	11 ft 2 in
Tires	385/65 - 22.5	
Engine	TIER 4 final Kubota 36.5 kW - 48.9 hp / DUAL FUEL Kubota 46 kW - 62 hp	
Weight	23,682 lbs	23,858 lbs



### STANDARD EQUIPMENT

- 4 wheel drive / 2 wheel steer
- Automatic differential wheel lock increases rough terrain capacity
- Front oscillating axle
- Proportional controls enhance comfort and safety
- 4 simultaneous movements
- 500 lbs load capacity unrestricted working envelope
- Large modular platform with swing door entry gate
- Upper control box protection cover and tool tray in ultra-solid composite
- Power to the platform
- Basket compensation +/-10°
- ACTIV'Screen diagnostic display for fault and service alerts
- Swing out engine tray for ease of maintenance
- Hourmeter
- Low fuel level indicator (upper and lower control boxes)
- Engine pre-heater with light indicator
- Sound and light alarm of tilt
- Maximum wind speed 28 mph
- 12 V battery / electrical control system
- Electric pump system and emergency descent
- Rotating beacon
- Travel alarm
- Haulotte Activ'Shield™ Bar (optional)

### OPTIONS AND ACCESSORIES

- Dual load capacity 500 lbs / 1000 lbs (2 / 3 persons)
- Narrow platform: 6 ft x 3 ft
- Drop bar entry gate
- Power to platform (female plug in the platform with or without circuit-breaker 30 mA)
- 37 mph wind speed
- 3.5 kW, 6.5 kW, 12 kW (Only NA) hydraulic generator
- Pipe rack
- Glazier pack
- Warm environment kit
- Cold weather package / Arctic kit
- Biodegradeable hydraulic oil
- Air line to platform
- Work lights
- Haulotte Activ'Shield™ Bar