



## COMPACT 3947 E

### Exceptional productivity

- Working height up to 44 ft 9 in
- Driveable at full height
- Load capacity: 770 lbs
- Reliable and easy to maintain
- Extended platform
- Long working cycles

### Optimum compactness

- 3 ft 11 in width
- Folding guardrails



**Haulotte** 

More than lifting





# COMPACT 3947 E

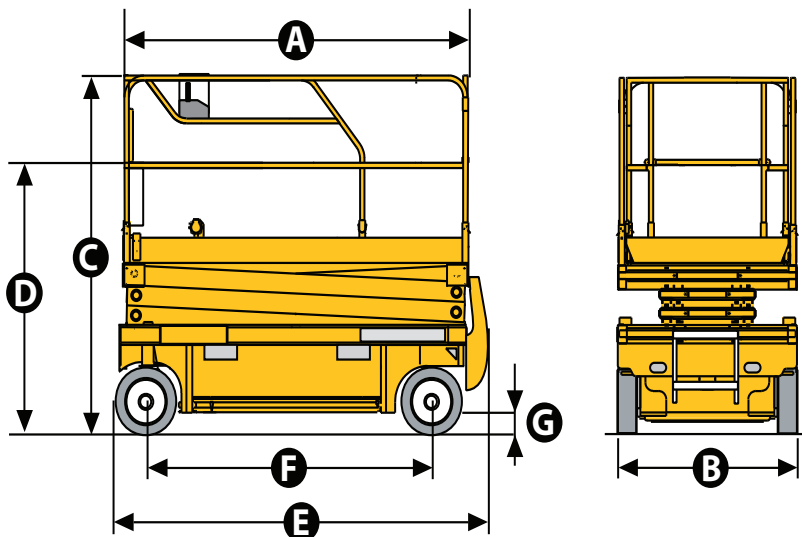
ELECTRIC SCISSOR LIFTS



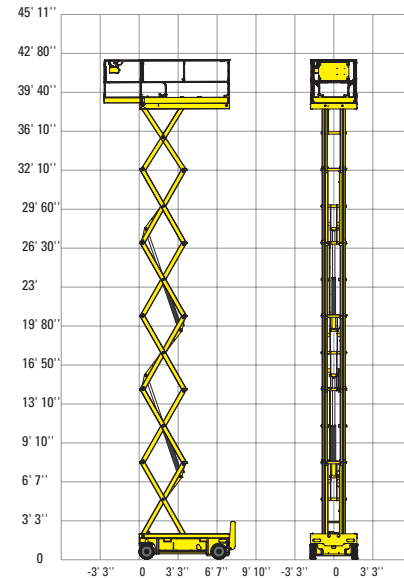
## TECHNICAL DATA

## COMPACT 3947 E

Working height	44 ft 11 in
Platform height	38 ft 11 in
Lift capacity	770 lbs
<b>A</b> Platform length - outside	7 ft 7 in
Platform length - extended	10 ft 7 in
Extension length	3 ft
Platform width - outside	3 ft 11 in
<b>D</b> Storage height	6 ft 10 in
<b>C</b> Height - stowed	8 ft 2 in
<b>B</b> Overall width	3 ft 11 in
<b>E</b> Length	8 ft 2 in
<b>F</b> Wheelbase	6 ft 1 in
<b>G</b> Ground clearance	6 in
Ground clearance - Pothole guards deployed	1 in
Drive speed	0.6 - 1.7 mph
Driveable at full height up to	38 ft 11 in
Gradeability	23 %
Lift / lower speed	61 s / 50 s
Turning radius - outside	8 ft 2 in
Non-marking tires	15x5
Batteries	24 V - 340 Ah (C20)
Hydraulic system capacity	7 gal
Weight	7,236 lbs



770 lbs / 3x ↑



## STANDARD EQUIPMENT

- Pothole protection
- Battery charge indicator
- Proportional lift and drive
- Removable control box in platform
- Swing out component tray
- Battery charger 110V / 60Hz
- Non-marking tires
- Brake release
- Tilt alarm
- Load management system in the platform
- Manual platform lowering valve
- Integrated forklift pockets
- Towing hooks
- Horn
- Hourmeter

## OPTIONS AND ACCESSORIES

- Flashing beacon
- Travel alarm
- Working light
- Power to the platform
- Biodegradable hydraulic oil
- Centralized battery filling