



# HTL Options & Attachments Guide

April 2018

[haulotte.com](http://haulotte.com)

**Haulotte**   
EQUIPMENT



Close to you, worldwide.

**Haulotte**, the people and material  
lifting equipment specialist

- Our latest HTL telehandlers range offers a selection of models designed specifically to provide you the very highest levels of **productivity & performance**.
- Internationally recognized, HTL telehandlers offer a wide range of **solutions** based on reliability and robustness for both **construction** and **industry** applications. Our extensive network allows us to respond rapidly and efficiently to all your service requirement & spare parts needs, so your productivity can be guaranteed and your success as well.
- HTL homologated **attachment** range give you the solution that improves working **output, safety, and operator comfort**.
- To be validated, every **attachment** has to succeed very strict tests by our **R&D department** including: stability test - load chart, risk & stress analysis, meet with your applications' expectations!
- From on-fork handling solutions range and bucket range to grab and jib/winch ranges, HTL range will meet all your professionals' most demanding requirements.



# Options

---

# HTL OPTIONS – SUMMARY

✓ [PRE-CONFIGURATION](#)



✓ [HEAD OF THE BOOM](#)



✓ [TIRES](#)



✓ [VISIBILITY](#)



✓ [CABIN](#)



✓ [ENGINE](#)



✓ [MISCELLANEOUS](#)



# 1

## **PRE- CONFIGURATION**



# PRE-CONFIGURATION

## Extending & Slewing platform pre-configuration (CE)



CE platform pre-configuration is **mandatory** to use the CE platform

### • Modifications :

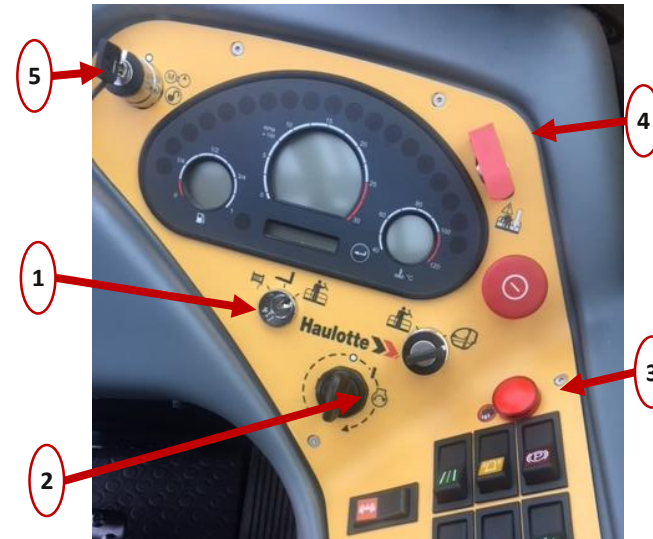
- Hydraulic : Hydraulic Kit, new hydraulic manifold
- Electric : Spring cable reel, emergency pump
- Cab : Dead man joystick.

### • Dashboard additional button :

- 1- Attachment mode selector
- 2- Platform or Cab control
- 3- Overload indicator
- 4- Overriding -> shunt the weighing & platform emergency button.
- 5- Emergency pump

### • Compliant with CE homologation

 Only available for Tier IV Final engine



Dashboard modification

Available	
HTL 3210	X
HTL 3510	X
HTL 4010	X
HTL 3614	X
HTL 3617	X
HTL 4014	✓
HTL 4017	✓
HTL 5210	X



Deadman joystick into the cab

REF. 50170

# PRE-CONFIGURATION

## Fixed - platform pre-configuration (ANSI)



ANSI platform pre-configuration is **mandatory** to use the ANSI fixed platform

- Modifications :
  - Cab : Dead man joystick.
- Compliant with ANSI regulation



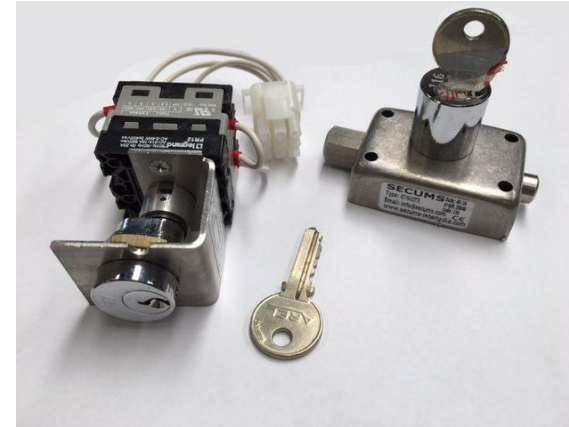
Available	
HTL 3210	X
HTL 3510	X
HTL 4010	X
HTL 3614	X
HTL 3617	X
HTL 4014	✓
HTL 4017	✓
HTL 5210	X

REF. 50165

# PRE-CONFIGURATION Command Kit Winch



- A security key to open the attachment and plug on the dashboard
- In Winch mode use to prevent any combined movement
- Second key in case of loss



Available	
HTL 3210	✓
HTL 3510	✓
HTL 4010	✓
HTL 3614	✓
HTL 3617	✓
HTL 4014	✓
HTL 4017	✓
HTL 5210	✓



REF. 52022/50022



2

## **HEAD OF THE BOOM**

# HEAD OF THE BOOM

## Hydraulic Kit For Accessory



- Hydraulic supply on top of the boom with hoses connection
- **Mandatory** to use Hydraulic attachment (ex: side sift forks, grab bucket, winch...)



Available	
HTL 3210	✓
HTL 3510	✓
HTL 4010	✓
HTL 3614	✓
HTL 3617	✓
HTL 4014	✓
HTL 4017	✓
HTL 5210	✓

REF. 52021/50021

# HEAD OF THE BOOM Hydraulic Kit Manitou® type



- Compatible with Manitou® hydraulic attachment
- Hydraulic supply on top of the boom with hoses connection
  - ➔ 1/2" BSP MALE AND FEMALE



Available	
HTL 3210	✓
HTL 3510	✓
HTL 4010	✓
HTL 3614	✓
HTL 3617	✓
HTL 4014	✓
HTL 4017	✓
HTL 5210	✓

"MANITOU" is a trademark of MANITOU BF, the use of this mark is solely for the purpose of information on the compatibility of our products."

REF. 52108/50108

# HEAD OF THE BOOM

## Hook 3T under tool carriage



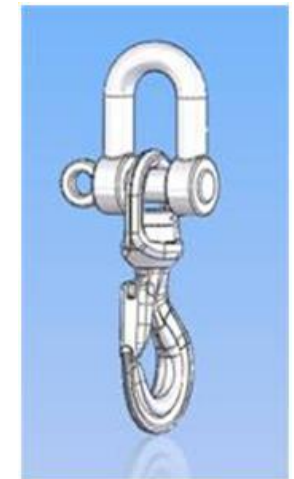
- Use with specific Tool carriage for hooks 3T



- Tool carriage for hooks 3T **MANDATORY** :
  - Haulotte® (REF. 52029/50029)
  - or Manitou® (REF. 52030/50030)



Available	
HTL 3210	✓
HTL 3510	✓
HTL 4010	✓
HTL 3614	✓
HTL 3617	✓
HTL 4014	✓
HTL 4017	✓
HTL 5210	✓



REF. 52150/50150

# HEAD OF THE BOOM

## Haulotte Tool Carriage for hooks 3T



- Width : 874mm with attachment locking single axe
- **Mandatory** if hook 3T selected



Available	
HTL 3210	✓
HTL 3510	✓
HTL 4010	✓
HTL 3614	✓
HTL 3617	✓
HTL 4014	✓
HTL 4017	✓
HTL 5210	✓

REF. 52029/50029



# HEAD OF THE BOOM

## Manitou® type Tool Carriage for hooks 3T



- Width : 905mm with attachment locking single axe
- Can be use with MT Type Attachment
- **Mandatory** if hook 3T selected



Available	
HTL 3210	✓
HTL 3510	✓
HTL 4010	✓
HTL 3614	✓
HTL 3617	✓
HTL 4014	✓
HTL 4017	✓
HTL 5210	✓

"MANITOU® is a trademark of MANITOU BF, the use of this mark is solely for the purpose of information on the compatibility of our products."

REF. 52030/50030

# HEAD OF THE BOOM MANITOU<sup>®</sup> type tool carriage



- This accessory is designed to be compatible with Manitou<sup>®</sup> attachments
- Haulotte attachments can't be used with this accessory
- This tool carriage isn't compatible with the hook 3T



Available	
HTL 3210	✓
HTL 3510	✓
HTL 4010	✓
HTL 3614	✓
HTL 3617	✓
HTL 4014	✓
HTL 4017	✓
HTL 5210	✓

"MANITOU<sup>®</sup> is a trademark of MANITOU BF, the use of this mark is solely for the purpose of information on the compatibility of our products."

REF. 52105/50105

# HEAD OF THE BOOM

## Volvo® type tool carriage



- This accessory is designed to be compatible with Volvo® attachments
- Haulotte attachments can't be used with this accessory
- Width : 1100mm with attachment locking



Available	
HTL 3210	X
HTL 3510	X
HTL 4010	X
HTL 3614	X
HTL 3617	X
HTL 4014	✓
HTL 4017	✓
HTL 5210	X

"The use of this mark is solely for the purpose of information on the compatibility of our products."

REF. 50192

# HEAD OF THE BOOM

## 12V electrical roller supply



- Electrical supply at the head of the boom
- Enables to steer additional function from the cab



REF. 52178

Available	
HTL 3210	✓
HTL 3510	✓
HTL 4010	✓
HTL 3614	X
HTL 3617	X
HTL 4014	X
HTL 4017	X
HTL 5210	X

3

**TIRES**

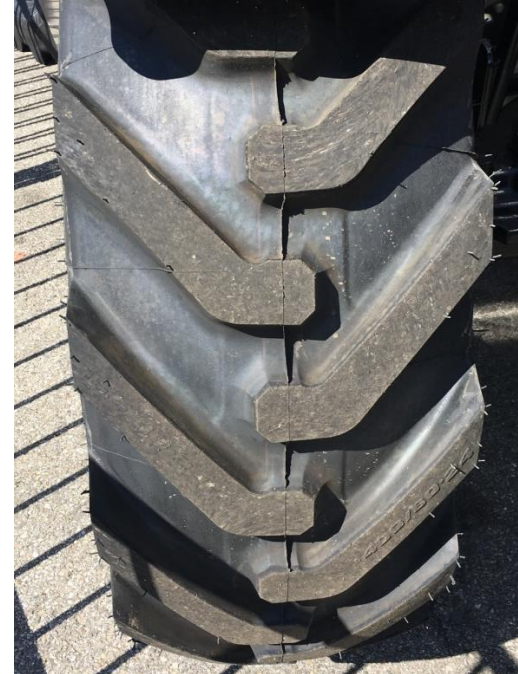


# TIRES

## 4 MICHELIN Tires 400/80 24 - Semi-Industrial



- Profile : Semi-industrial
- 400 / 80 24



Available	
HTL 3210	✓
HTL 3510	✓
HTL 4010	✓
HTL 3614	✓
HTL 3617	✓
HTL 4014	✓
HTL 4017	✓
HTL 5210	✓

REF. 52001/50001

# TIRES

## 4 CAMSO Tires 400/80 24 - Semi-Industrial



- Profil : Semi-Industrial
- 400 / 80 24



Available	
HTL 3210	✓
HTL 3510	✓
HTL 4010	✓
HTL 3614	✓
HTL 3617	✓
HTL 4014	Standard
HTL 4017	Standard
HTL 5210	Standard

REF. 52008/50008

# TIRES

## 4 ADVANCE Wheels 405/70 24 - Industrial



- Profile : Industrial
- 405 / 70 24



Available	
HTL 3210	✓
HTL 3510	Standard
HTL 4010	Standard
HTL 3614	Standard
HTL 3617	Standard
HTL 4014	X
HTL 4017	X
HTL 5210	X

REF. 52007

# TIRES

## 4 MITAS Wheels 445/65 R22,5 - Industrial



- Industrial: for application in sensitive ground
- 41x18LL - 22,5
- Modification :
  - About - 8% on the grounds clearance
  - About + 8% on traction effort
  - About - 8% on the maxi speed
- Compare to the 400/80 24 - Semi-industrial - Solideal
  
- With this tires, containerization isn't possible
- No road homologation for Germany, Italy & Spain



Available	
HTL 3210	X
HTL 3510	X
HTL 4010	X
HTL 3614	✓
HTL 3617	✓
HTL 4014	✓
HTL 4017	✓
HTL 5210	✓



REF. 50053

# TIRES

## 2 Spare Wheels (Left & Right)



	Advance - 405/70 20 Industrial	Advance - 405/70 24 Industrial	Camso - 400/80 24 Semi-Industrial	Michelin - 400/80 24 Semi-Industrial	Michelin - 400/80 24 Semi-Industrial <u>If option containerization</u>
<b>HTL 3210</b>	✓	✓	✓	✓	X
<b>HTL 3510</b>	X	✓	✓	✓	X
<b>HTL 4010</b>	X	✓	✓	✓	X
<b>HTL 3614</b>	X	✓	✓	✓	X
<b>HTL 3617</b>	X	✓	✓	✓	X
<b>HTL 4014</b>	X	X	✓	✓	✓
<b>HTL 4017</b>	X	X	✓	✓	✓
<b>HTL 5210</b>	X	X	✓	✓	✓
REF.	52006	52005/50004	52004/50003	52187/50187	50189

 Option Containeurization



# TIRES Summary



		Michelin 400/80 24 Semi-Industrial	Advance 405/70 20 Industrial	Advance 405/70 24 Industrial	Camso 400/80 24 Semi-Industrial	Mitas 445/65 R22,5 Industrial
<b>HTL 3210</b>	4 wheels	Option	Standard	Option	Option	N/A
	2 spare wheels	Option	Option	Option	Option	N/A
<b>HTL 3510</b>	4 wheels	Option	N/A	Standard	Option	N/A
	2 spare wheels	Option	N/A	Option	Option	N/A
<b>HTL 4010</b>	4 wheels	Option	N/A	Standard	Option	N/A
	2 spare wheels	Option	N/A	Option	Option	N/A
<b>HTL 3614</b>	4 wheels	Option	N/A	Standard	Option	Option
	2 spare wheels	Option	N/A	Option	Option	N/A
<b>HTL 3617</b>	4 wheels	Option	N/A	Standard	Option	Option
	2 spare wheels	Option	N/A	Option	Option	N/A
<b>HTL 4014</b>	4 wheels	Option	N/A	N/A	Standard	Option
	2 spare wheels	Option	N/A	N/A	Option	N/A
<b>HTL 4017</b>	4 wheels	Option	N/A	N/A	Standard	Option
	2 spare wheels	Option	N/A	N/A	Option	N/A
<b>HTL 5210</b>	4 wheels	Option	N/A	N/A	Standard	Option
	2 spare wheels	Option	N/A	N/A	Option	N/A

N/A : not applicable

# TIRES

## Solid cured-on tires



- Specific tires
- Avoid loss of lateral stability in case of puncture
- Avoid the time machine immobilisation in case of puncture
- Size: 13.00-24
  
- No road homologation for Germany, Italy and Spain
- Maximum Speed Limitation 15 km/h (software adaptation)



REF. 52173

Available	
HTL 3210	X
HTL 3510	✓
HTL 4010	✓
HTL 3614	X
HTL 3617	X
HTL 4014	X
HTL 4017	X
HTL 5210	X

# TIRES

## Galaxy (Turf) 4 Wheels



- Application Turf : application in very sensitive ground: for Turf, Golf ...
- 41x18LL - 22,5
- Modification :
  - About - 8% on the grounds clearance
  - About + 8% on traction effort
  - About - 8% on the maxi speed
- Compare to the 400/80 24 - Semi-industrial - Solideal
  
- With this option, containerization isn't possible
- No road homologation for Germany, Italy & Spain



Available	
HTL 3210	X
HTL 3510	X
HTL 4010	X
HTL 3614	✓
HTL 3617	✓
HTL 4014	✓
HTL 4017	X
HTL 5210	X



REF. 50054

# TIRES

## 2 Wheel Wedges



- Wheel wedges supplied with storage hoop fixed on the machine.
- Necessary to secure effectively the machine and guarantee the security.



Available	
HTL 3210	✓
HTL 3510	✓
HTL 4010	✓
HTL 3614	✓
HTL 3617	✓
HTL 4014	✓
HTL 4017	✓
HTL 5210	✓

REF. 52009/50009

# TIRES

## Tire puncture sealant



- An aqueous solution specially designed to prevent punctures on industrial tires.
  - Liquid product injected in the 4 tires (5l / tire)
  - Injected in the factory
- It repairs instantly and permanently
- The treatment is efficient for the life span of the tire.
- It repairs repeated punctures on the tread area caused by perforating objects.
  - Seal an hole until 2cm



Available	
HTL 3210	✓
HTL 3510	✓
HTL 4010	✓
HTL 3614	✓
HTL 3617	✓
HTL 4014	✓
HTL 4017	✓
HTL 5210	✓

REF. 52155/50155



4

## **VISIBILITY**

# VISIBILITY

## 4 Working Lights On Cab



- Four high-intensity discharge work lights on the cab roof provide plenty of illumination to keep working during the night or in dark conditions.
- 2 front lights and 2 rear lights with ON/OFF switch on the cab



Available	
HTL 3210	✓
HTL 3510	✓
HTL 4010	✓
HTL 3614	✓
HTL 3617	✓
HTL 4014	✓
HTL 4017	✓
HTL 5210	✓

WITH WINDSCREEN	REF 52017 / 50017
WITH WINDSCREEN	REF. 52151 / 50151

# VISIBILITY

## LED Working Lights on the boom



- Add 2 LED lights on the boom



Available	
HTL 3210	✓
HTL 3510	✓
HTL 4010	✓
HTL 3614	✓
HTL 3617	✓
HTL 4014	✓
HTL 4017	✓
HTL 5210	✓



REF. 52139/50139

# VISIBILITY

## Rear LED Lights



- One LED lights at the back



Available	
HTL 3210	✓
HTL 3510	✓
HTL 4010	✓
HTL 3614	✓
HTL 3617	✓
HTL 4014	✓
HTL 4017	✓
HTL 5210	✓

REF. 52140/50140

# VISIBILITY

## Rear Camera



- At the counterweight
- Better approach & less damage
- To help operators checking what is going on behind the machine



Available	
HTL 3210	✓
HTL 3510	✓
HTL 4010	✓
HTL 3614	✓
HTL 3617	✓
HTL 4014	✓
HTL 4017	✓
HTL 5210	✓



REF. 52141/50141



# VISIBILITY

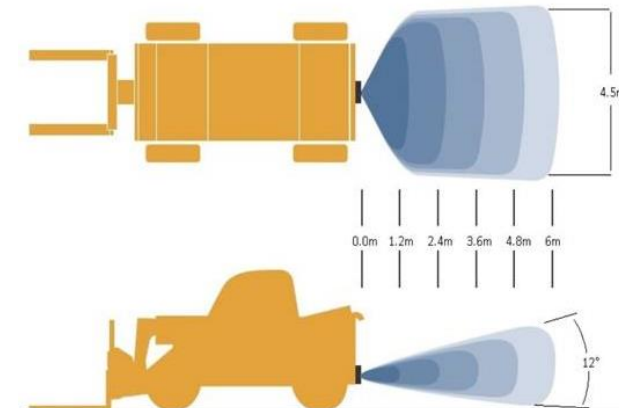
## Rear sensor detector



- To help operators checking what is going on behind the machine
- Improving security
- Detection zone length= 6m/19ft & width= 4.5m/13 ft



Available	
HTL 3210	✓
HTL 3510	✓
HTL 4010	✓
HTL 3614	✓
HTL 3617	✓
HTL 4014	✓
HTL 4017	✓
HTL 5210	✓



REF. 52158/50158

# VISIBILITY Kit Visibility



- Additional mirror for machines
- Standard in Europe



Kit visibility



Standard machine

Available	
HTL 3210	✓
HTL 3510	✓
HTL 4010	✓
HTL 3614	✓
HTL 3617	✓
HTL 4014	✓
HTL 4017	✓
HTL 5210	✓

REF. 52045/50045

# VISIBILITY

## Lateral reflectors



- 2 at the bottom of the cab
- 1 in the front rear-view mirror
- 2 on the engine support
- 1 in each side of the reinforcement chassis



Available	
HTL 3210	✓
HTL 3510	✓
HTL 4010	✓
HTL 3614	✓
HTL 3617	✓
HTL 4014	✓
HTL 4017	✓
HTL 5210	✓

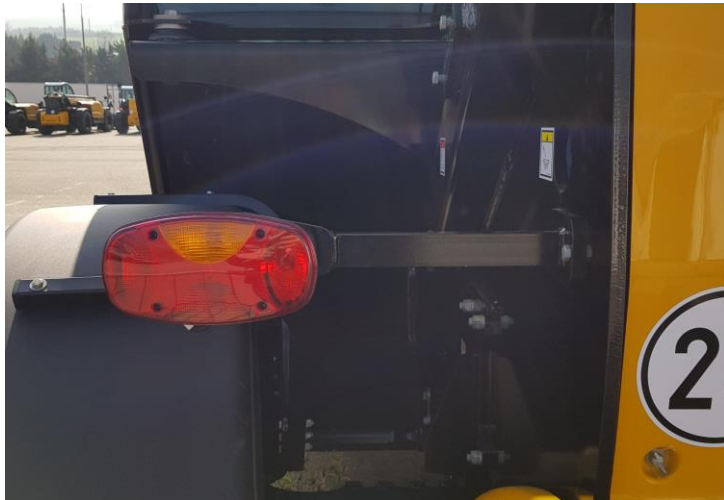
REF. 52031/50031

# VISIBILITY

## Foldable Rear Lights



- To avoid breaking the lights during transportation and on working environment



Fix rear lights



Foldable rear lights

REF. 52018

Available	
HTL 3210	✓
HTL 3510	Standard
HTL 4010	Standard
HTL 3614	Standard
HTL 3617	Standard
HTL 4014	Standard
HTL 4017	Standard
HTL 5210	Standard

# VISIBILITY

## Fixed beacon



- Beacon in standard into the cab



Available	
HTL 3210	✓
HTL 3510	✓
HTL 4010	✓
HTL 3614	✓
HTL 3617	✓
HTL 4014	✓
HTL 4017	✓
HTL 5210	✓

REF. 52130/50130

# VISIBILITY

## Warning Triangle



- Depending on local on-road traffic regulation, it might be necessary to carry out a warning triangle in the vehicle at all times.



Available	
HTL 3210	✓
HTL 3510	✓
HTL 4010	✓
HTL 3614	✓
HTL 3617	✓
HTL 4014	✓
HTL 4017	✓
HTL 5210	✓

REF. 52010/50010



# VISIBILITY Reflective Safety Jacket



- Depending on local on-road traffic regulation, it might be necessary to carry out a Reflective Safety Jacket in the vehicle at all times.



Available	
HTL 3210	✓
HTL 3510	✓
HTL 4010	✓
HTL 3614	✓
HTL 3617	✓
HTL 4014	✓
HTL 4017	✓
HTL 5210	✓

REF. 52011/50011

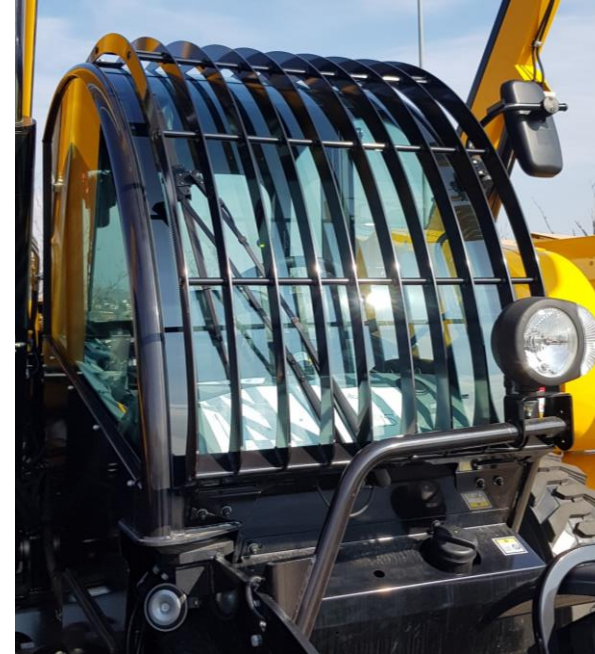
5

**CAB**

# CAB Metal Windscreen Protection



- The metal windscreen protection gives a reliable protection against falling objects.
- Compliant with FOPS regulation



Available	
HTL 3210	✓
HTL 3510	✓
HTL 4010	✓
HTL 3614	✓
HTL 3617	✓
HTL 4014	✓
HTL 4017	✓
HTL 5210	✓

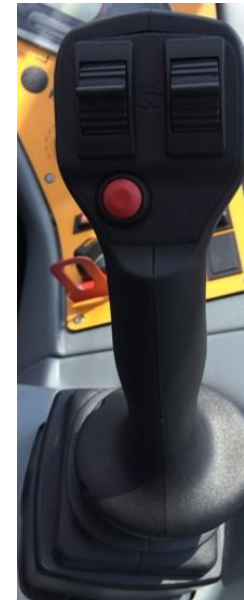
REF. 52016/50016

# CAB

## Deadman joystick



- Avoid involuntary movement with the joystick



Available	
HTL 3210	✓
HTL 3510	✓
HTL 4010	✓
HTL 3614	✓
HTL 3617	✓
HTL 4014	✓
HTL 4017	✓
HTL 5210	✓



REF. 52167/50167

# CAB

## Fire Extinguisher inside the cab



- Powder ABC 1 KG



Available	
HTL 3210	✓
HTL 3510	✓
HTL 4010	✓
HTL 3614	✓
HTL 3617	✓
HTL 4014	✓
HTL 4017	✓
HTL 5210	✓

REF. 52142/50142



# CAB

## Air Conditioning Perkins eng. & Kohler



- TIER 3 -> PERKINS
- TIER 4i -> PERKINS Not available
- TIER 4F -> KOHLER
- 3 positions manual air conditioning.
- In order to work in comfort



Available - PERKINS	
HTL 3210	✓
HTL 3510	✓
HTL 4010	✓
HTL 3614	X
HTL 3617	X
HTL 4014	✓
HTL 4017	✓
HTL 5210	✓

Available - KOLHER	
HTL 3210	✓
HTL 3510	✓
HTL 4010	✓
HTL 3614	X
HTL 3617	X
HTL 4014	✓
HTL 4017	✓
HTL 5210	X

 **Be careful: one PERKINS version and one KOHLER version**

PERKINS	REF. 52019/50019
KOHLER	REF. 52020/50020

# CAB Engine Immobilizer



- Digicode with magnetic key or code.



Available	
HTL 3210	✓
HTL 3510	✓
HTL 4010	✓
HTL 3614	✓
HTL 3617	✓
HTL 4014	✓
HTL 4017	✓
HTL 5210	✓

KEY	REF. 52035/50035
CODE	REF. 52034/50034

# CAB Break Glass Hammer



- Depending on local safety regulation, it might be necessary to carry out a break glass hammer in the vehicle at all times.



Available	
HTL 3210	✓
HTL 3510	✓
HTL 4010	✓
HTL 3614	✓
HTL 3617	✓
HTL 4014	✓
HTL 4017	✓
HTL 5210	✓

REF. 52012/50012

# CAB Speed Stickers

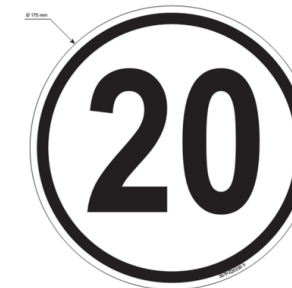


- Local traffic regulations may require a maximum speed



REF. 52015/50015

- Local traffic regulations may require a **specific** maximum speed



REF. 52014/50014

Available	
HTL 3210	✓
HTL 3510	✓
HTL 4010	✓
HTL 3614	✓
HTL 3617	✓
HTL 4014	✓
HTL 4017	✓
HTL 5210	✓

Available		
	25 kph	20kph
HTL 3210	Standard	✓
HTL 3510	Standard	✓
HTL 4010	Standard	✓
HTL 3614	Standard	✓
HTL 3617	Standard	✓
HTL 4014	Standard	✓
HTL 4017	Standard	✓
HTL 5210	Standard	✓

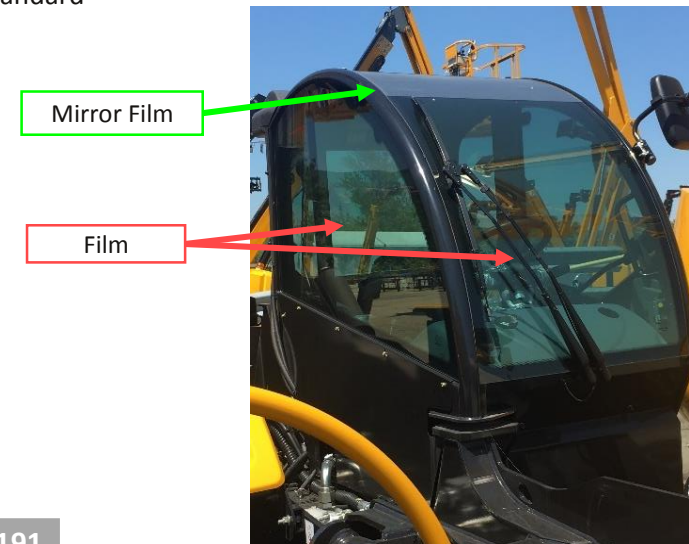
# CAB UV protection film



- Local traffic regulations may require a specific maximum speed
- Reduce the temperature in the cab, up to 6°C / 10°F
- Keep a good visibility during night working and when the weather is dark
- 2 different protection :
  - *Mirror film (at the top of the cab)*
  - *Transparent film (in all the other window)*



Cab standard



Cab with solar protection

REF. 52191/50191

Available	
HTL 3210	✓
HTL 3510	✓
HTL 4010	✓
HTL 3614	✓
HTL 3617	✓
HTL 4014	✓
HTL 4017	✓
HTL 5210	✓



# CAB Sun visor



- Sun protection
- Better utilization
- Reduce painful
- There is 3 positions



Available	
HTL 3210	✓
HTL 3510	✓
HTL 4010	✓
HTL 3614	✓
HTL 3617	✓
HTL 4014	✓
HTL 4017	✓
HTL 5210	✓



REF. 52028/50028

# 6

## ENGINE

# ENGINE

## PERKINS Engine Tier 4 interim with DPF (Diesel Particulate Filter)



- DPF solution (Diesel Particulate Filter)
- PERKINS 3.4 L in 83kW (113hp) @ 2200 rev/min with intercooler
- Torque maxi : 450 Nm to 1400 rev/min
- 3 position button : Stop, Regular, Forced
- Standard on HTL5210 in EUROPE (except Russia)
- Not available in Switzerland



REF. 52095/50095

Available	
HTL 3210	X
HTL 3510	✓
HTL 4010	✓
HTL 3614	✓
HTL 3617	✓
HTL 4014	✓
HTL 4017	✓
HTL 5210	✓



# ENGINE

## Reverse fan



- Clean railings in dusty atmospheres
- Cabin button:
  - Button on Central position: automatic cycle  
→ 14s every 10min
  - Button Upwards: forced cooling
  - Button Downwards: 1 Reverse Fan cycle



Available	
HTL 3210	✓
HTL 3510	✓
HTL 4010	✓
HTL 3614	✓
HTL 3617	✓
HTL 4014	✓
HTL 4017	✓
HTL 5210	✓



 Not available for Tier IV Interim engine

REF. 52160/50160

# ENGINE Hydraulic Oil



## • Hot Hydraulic Oil

- Specific hydraulic oil in tank and circuit for countries with hot climates
  - Index : 68

REF. 52023/50023

## • Cold Hydraulic Oil

- Specific hydraulic oil in tank and circuit for countries with cold climates
  - Index : 32

REF. 52024/50024

## • Green Hydraulic Oil

- Specific BIODEGRADABLE hydraulic oil in tank and circuit
  - Index : 46

REF. 52025/50025

### Available

HTL 3210	✓
HTL 3510	✓
HTL 4010	✓
HTL 3614	✓
HTL 3617	✓
HTL 4014	✓
HTL 4017	✓
HTL 5210	✓

# ENGINE White Gazole



- Local regulations may require a specific gazole
  - Mandatory for Germany

Available	
HTL 3210	✓
HTL 3510	✓
HTL 4010	✓
HTL 3614	✓
HTL 3617	✓
HTL 4014	✓
HTL 4017	✓
HTL 5210	✓

REF. 52026/50026



# ENGINE

## Air filter with clogging sensor Perkins 70KW



- Only available for TIER 3 engine – PERKINS 70 Kw



Filter

Available	
HTL 3210	X
HTL 3510	✓
HTL 4010	✓
HTL 3614	✓
HTL 3617	✓
HTL 4014	✓
HTL 4017	✓
HTL 5210	✓



Clogging indicator



Not available for Europe (except Russia)

REF. 52033/50033

# ENGINE

## Kit First Oil Change



- Composition of the kit : engine fuel filter, fuel filter, air filter, hydraulic air filter.

Available	
HTL 3210	✓
HTL 3510	✓
HTL 4010	✓
HTL 3614	✓
HTL 3617	✓
HTL 4014	✓
HTL 4017	✓
HTL 5210	✓

PERKINS	REF. 52037/50037
KOHLER	REF. 52040/50040

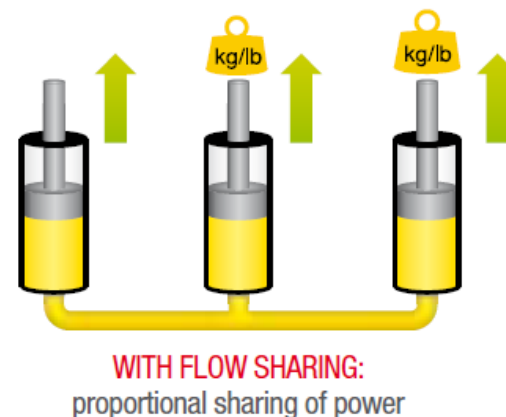
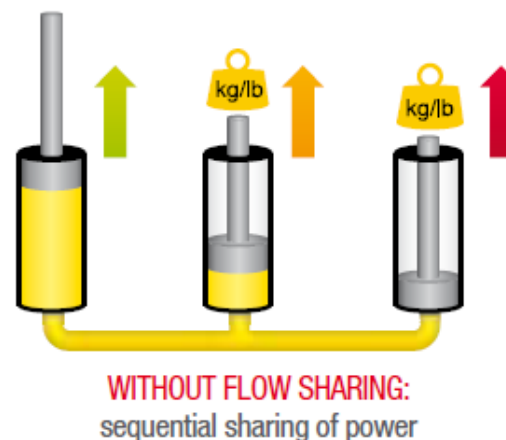
# ENGINE Flowsharing



- Allows full simultaneous movements of all operations of the machine

The benefits for our customers are:

- The movement of the boom is intuitive
  - **Flow sharing** is a smart management system of hydraulic flows which enables **proportional controls**
- Easy handover
  - The joystick become part of your arm, you don't have to think about the sequence (lift, extension, rotating, ...) to place your load at height or use a bucket
- Better efficiency
  - Even if the speed of one movement is lower than other machines, you'll never do only one movement. The total sequence will be achieved in less time because it allows **simultaneous movements** to be more precise and quicker



Available	
HTL 3210	✓
HTL 3510	✓
HTL 4010	✓
HTL 3614	Standard
HTL 3617	Standard
HTL 4014	Standard
HTL 4017	Standard
HTL 5210	Standard

REF. 52053

# ENGINE Refinery kit



- **Fire damper**

- Block the air intake
- Stop the engine in saturated oil air

- **Spark arrester**

- Prevent spark's evacuation
- Avoid explosion in inflammable situation (work in industry like refinery, store area...)
- Emergency stop button to turn off the engine



Fire damper

Available	
HTL 3210	✓
HTL 3510	✓
HTL 4010	✓
HTL 3614	✓
HTL 3617	✓
HTL 4014	✓
HTL 4017	✓
HTL 5210	✓



Spark arrester

 Not available for Tier IV Interim engine

REFINERY KIT (Fire damper + Spark arrester)	REF. 52168/50168
SPARK ARRESTER	REF. 52169/50169

7

## MISCELLANEOUS

# MISCELLANEOUS Containerization (only for subsidiaries)



- Refer to the information (e-technical) for the assembly



Available	
HTL 3210	X
HTL 3510	X
HTL 4010	X
HTL 3614	X
HTL 3617	X
HTL 4014	✓
HTL 4017	✓
HTL 5210	✓



REF. 50166

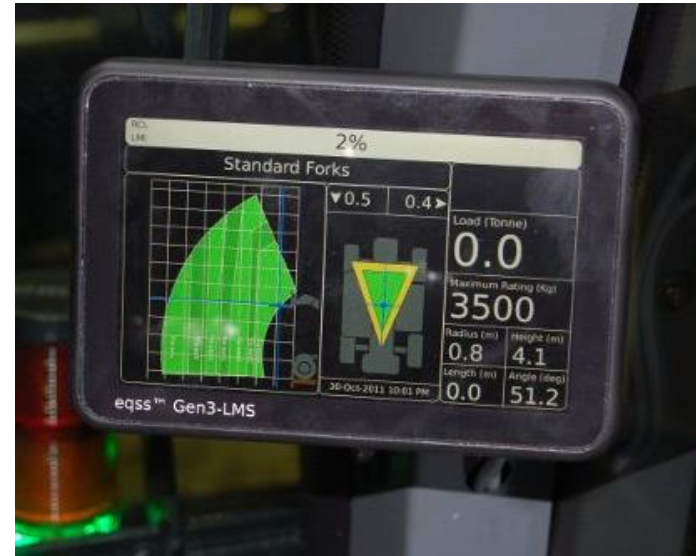


# MISCELLANEOUS EQSS equipment safety systems



 Only for Australian market

 This offer concerns only the assembly of the EQSS



Compatibility	
HTL 3210	✓
HTL 3510	✓
HTL 4010	✓
HTL 3614	✓
HTL 3617	✓
HTL 4014	✓
HTL 4017	✓
HTL 5210	✓

REF. 52172/50172

# MISCELLANEOUS Tool Kit



- For immediate repairs
- The tool kit is placed in the storage box behind the seat
- Left to right:
  - Phillips-head screwdriver (n°2 – 6mm), flat screwdriver (4mm), Wrenches/spanner (24-22, 19-17, 18-16 & 13-10), hex key (8), hex key (4)



Available	
HTL 3210	✓
HTL 3510	✓
HTL 4010	✓
HTL 3614	✓
HTL 3617	✓
HTL 4014	✓
HTL 4017	✓
HTL 5210	✓



REF. 52181/50181

# MISCELLANEOUS Rubber Protection



- Protect the front of the chassis when the machine is close from a structure
- Dimension : 360 x 100 x 105cm



Available	
HTL 3210	X
HTL 3510	X
HTL 4010	X
HTL 3614	✓
HTL 3617	✓
HTL 4014	✓
HTL 4017	✓
HTL 5210	✓

REF. 50143

# MISCELLANEOUS Lockable Fuel Tank



Available	
HTL 3210	✓
HTL 3510	✓
HTL 4010	✓
HTL 3614	✓
HTL 3617	✓
HTL 4014	✓
HTL 4017	✓
HTL 5210	✓

REF. 52042/50042

# MISCELLANEOUS Additional Key



Available	
HTL 3210	✓
HTL 3510	✓
HTL 4010	✓
HTL 3614	✓
HTL 3617	✓
HTL 4014	✓
HTL 4017	✓
HTL 5210	✓

REF. 52144/50144

# MISCELLANEOUS Hoses Cover Under Boom



- Complement for protection of hoses



Without hoses cover



With hoses cover

REF. 52041/50132

## Available

HTL 3210	✓
HTL 3510	✓
HTL 4010	✓
HTL 3614	✓
HTL 3617	✓
HTL 4014	✓
HTL 4017	✓
HTL 5210	✓



# MISCELLANEOUS Reception Outside Agency



Compatibility	
HTL 3210	✓
HTL 3510	✓
HTL 4010	✓
HTL 3614	✓
HTL 3617	✓
HTL 4014	✓
HTL 4017	✓
HTL 5210	✓

REF. 52046/50046

# MISCELLANEOUS Additional Manuals



- Additional operating manual and spare parts catalogue in the machine



Compatibility	
HTL 3210	✓
HTL 3510	✓
HTL 4010	✓
HTL 3614	✓
HTL 3617	✓
HTL 4014	✓
HTL 4017	✓
HTL 5210	✓

REF. 52054/50054

# Attachments

---

# HTL ATTACHMENTS – SUMMARY

---

- ✓ [ON-FORK HANDLING SOLUTIONS](#)
- ✓ [BUCKET RANGE](#)
- ✓ [GRAB RANGE](#)
- ✓ [PIKES RANGE](#)
- ✓ [JIB RANGE](#)
- ✓ [WINCH RANGE](#)
- ✓ [PLATFORM](#)
- ✓ [MISCELLANEOUS](#)

1

**ON-FORK  
HANDLING  
SOLUTIONS**

# ON-FORK HANDLING SOLUTIONS

## Forks carriage + standard forks

- The standard forks carriage is essential on most job sites, allowing the operator to pick up and place materials like pallets, concrete blocks, etc..
- The standard forks are supplied as a standard with all machines
- Forks carriage dimension : 1258mm / 790mm



Available	
HTL 3210	✓
HTL 3510	✓
HTL 4010	✓
HTL 3614	✓
HTL 3617	✓
HTL 4014	✓
HTL 4017	✓
HTL 5210	✓



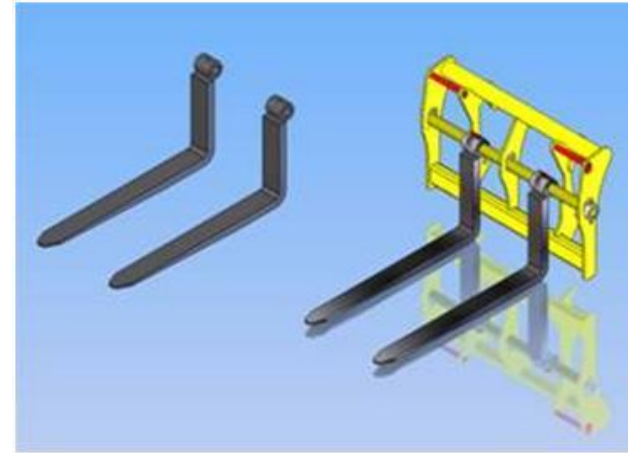
REF. 52102/50102	4 000 KG	125x50x1250 MM	290 KG
REF. 50102	5200 KG	125x60x1200 MM	320 KG



# ON-FORK HANDLING SOLUTIONS

## Forks special UK

- The UK forks are essential on most job sites, allowing the operator to pick up and place materials like pallets, concrete blocks, etc..
- The UK forks are supplied on demand.
- Forks carriage dimension : 1258mm / 790mm



Available	
HTL 3210	✓
HTL 3510	✓
HTL 4010	✓
HTL 3614	✓
HTL 3617	✓
HTL 4014	✓
HTL 4017	✓
HTL 5210	X



REF. 52101/50101



4 000KG



100x50x1250MM

260KG

# ON-FORK HANDLING SOLUTIONS

## MANITOU® forks carriage + Forks

- This accessory is designed to be compatible with Manitou® tool carriage
- This attachment can be use only with Manitou® tool carriage



Available	
HTL 3210	✓
HTL 3510	✓
HTL 4010	✓
HTL 3614	✓
HTL 3617	✓
HTL 4014	✓
HTL 4017	✓
HTL 5210	✓



REF. 52104/50104	4 000 KG	125x50x1250MM	282 KG	MANITOU®
REF.50104 (HTL5210)	5 200 KG	125x60x1200MM	350 KG	MANITOU®

"MANITOU® is a trademark of MANITOU BF, the use of this mark is solely for the purpose of information on the compatibility of our products."

# ON-FORK HANDLING SOLUTIONS

## FEM carriage with FEM forks 4.7T

- Suitable for all FEM industrial attachments
- FEM3 standard
- Capacity 4.7 T
- Forks length 1.25 M
- Width : 1600 mm



Available	
HTL 3210	✓
HTL 3510	✓
HTL 4010	✓
HTL 3614	✓
HTL 3617	✓
HTL 4014	✓
HTL 4017	✓
HTL 5210	✓



REF. 52171/50171

4 700 KG

125x50x1600 MM

KG

# ON-FORK HANDLING SOLUTIONS

## FEM carriage with FEM forks 4.7T forks length 1.5M

- Suitable for all FEM industrial attachments
- Standard of FEM3
- Capacity 4,7 T
- Forks length 1.5 M
- Weight : 363 Kg
- Width : 1600 mm



Available	
HTL 3210	X
HTL 3510	X
HTL 4010	X
HTL 3614	X
HTL 3617	X
HTL 4014	X
HTL 4017	X
HTL 5210	✓



REF. 50190



4 700 KG



150x50x1600 MM

KG

# ON-FORK HANDLING SOLUTIONS

## Side sift / Fork spreader

- This forks are equipped with a hydraulic lateral shift, 500mm shifting for each fork.
- Fork spread over forks Max : 1300 mm – Min : 370 mm
- Press the button to switch from side shift to fork spread modes
- Electrical roller supply preconfiguration **mandatory** (code 52178)
- Load capacity : **3T**



Available	
HTL 3210	✓
HTL 3510	✓
HTL 4010	✓
HTL 3614	X
HTL 3617	X
HTL 4014	X
HTL 4017	X
HTL 5210	X



★  Hydraulic kit mandatory (52021/50021)

★



REF. 52179



3 000 KG



100x50x1200 MM

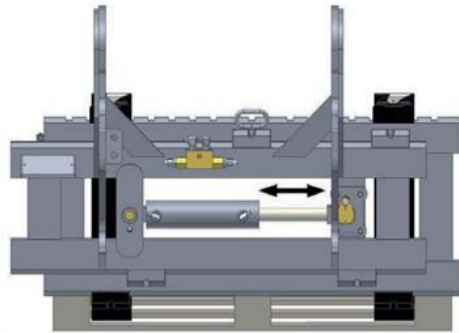
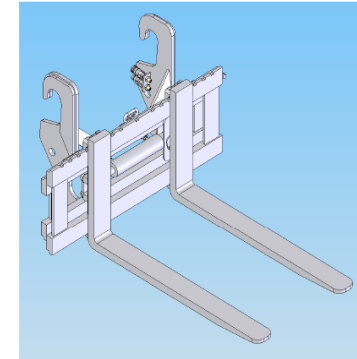


360 KG

# ON-FORK HANDLING SOLUTIONS

## Side shift forks

- The Side-shift fork carriage - FEM3A - moves the load right or left for a precise placement. It is designed to operate under dynamic and static loads
- The Side shift carriage allows up to 200 mm lateral displacement with a **3T maximum load capacity**



Available	
HTL 3210	✓
HTL 3510	✓
HTL 4010	✓
HTL 3614	✓
HTL 3617	✓
HTL 4014	✓
HTL 4017	✓
HTL 5210	✓



★  Hydraulic kit mandatory (52021/50021)

REF. 52134/50134	SIDE SHIFT / STD FORKS	3 000 KG	125x50x1250 MM	390 KG
REF. 52133/50133	SIDE SHIFT / UK FORKS	3 000 KG	100x50x1250 MM	360 KG
REF. 52136/50136	MT TYPE SIDE SHIFT / STD FORKS	3 000 KG	125x50x1250 MM	390 KG
REF. 52135/50135	MT TYPE SIDE SHIFT / UK FORKS	3 000 KG	100x50x1250 MM	360 KG

"MANITOU® is a trademark of MANITOU BF, the use of this mark is solely for the purpose of information on the compatibility of our products."



# ON-FORK HANDLING SOLUTIONS

## Fork spreader

- Enables to move the forks without load on
- 1 hydraulic cylinder double effect/fork
- 500mm shifting for each fork
- Forks come closer or move away in the similar time and at the same speed
- The Fork Spreader has a **2.3T maximum load capacity**



Available	
HTL 3210	✓
HTL 3510	✓
HTL 4010	✓
HTL 3614	✓
HTL 3617	✓
HTL 4014	✓
HTL 4017	✓
HTL 5210	✓

★  Hydraulic kit mandatory (52021/50021)

★



REF. 52153/50153



2 300 KG



100x50x1200 MM



360 KG

# ON-FORK HANDLING SOLUTIONS

## Fork spreader

- Enables to move the forks without load on
- 1 hydraulic cylinder double effect/fork
- 500mm shifting for each fork
- Forks come closer or move away in the similar time and at the same speed
- The Fork Spreader has a **4T maximum load capacity**



Available	
HTL 3210	✓
HTL 3510	✓
HTL 4010	✓
HTL 3614	✓
HTL 3617	✓
HTL 4014	✓
HTL 4017	✓
HTL 5210	✓

★  Hydraulic kit mandatory (52021/50021)

★



REF. 52180/50179



4 000 KG



100x50x1500 MM



437 KG

# ON-FORK HANDLING SOLUTIONS

## Box tipper / Rotative forks

- 2 pallet forks
- Carrier for any kind of brackets
- Degree of correction : 360°
- Capacity : **3 200 Kg**



Available	
HTL 3210	✓
HTL 3510	✓
HTL 4010	✓
HTL 3614	✓
HTL 3617	✓
HTL 4014	✓
HTL 4017	✓
HTL 5210	✓

★  Hydraulic kit mandatory (52021/50021)

★



REF. 52145/50145



3 200 KG



100x45x1200 MM



609 KG

# ON-FORK HANDLING SOLUTIONS

## Forks extension 1800mm

- For forks : 125 x 50 x 1200 (standard forks)
- Quick and Easy attachment
- Have to be compliant with standard ISO13284
  - Max extension forks length = length forks / 0,6



Available	
HTL 3210	X
HTL 3510	✓
HTL 4010	✓
HTL 3614	X
HTL 3617	X
HTL 4014	✓
HTL 4017	✓
HTL 5210	✓



REF. 52036/50036

2 680 KG to 900 MM

1 800 MM

46 KG x 2

# ON-FORK HANDLING SOLUTIONS

## Concrete bucket

- 600 L concrete bucket – rectangular shape with spreader for lifting & sheath for telehandlers on-fork handling solution
- Manually openable



Available	
HTL 3210	✓
HTL 3510	✓
HTL 4010	✓
HTL 3614	✓
HTL 3617	✓
HTL 4014	✓
HTL 4017	✓
HTL 5210	✓



REF. 52156/50156

600 L

2

## **BUCKET RANGE**

# BUCKET RANGE

## Toothless bucket

- Recommended for picking up loose products such as sand, gravel or soil. Can also be used for clean up around the work site
- It is under no circumstances designed for excavation work
- It may be used for lifting construction materials and handling
- Exists with Bolt-on counter-wear plate



Available	
HTL 3210	X
HTL 3510	X
HTL 4010	X
HTL 3614	✓
HTL 3617	✓
HTL 4014	✓
HTL 4017	✓
HTL 5210	✓



REF. 50109	BUCKET Toothless	900 L	2 450 MM	460 KG
REF. 50110	BUCKET Toothless with REMOVABLE BLADE	900 L	2 450 MM	460 KG
REF. 50128	BUCKET Toothless MT Type	900 L	2 450 MM	460 KG

"MANITOU® is a trademark of MANITOU BF, the use of this mark is solely for the purpose of information on the compatibility of our products."



# BUCKET RANGE

## Toothless bucket

- Recommended for picking up loose products such as sand, gravel or soil. Can also be used for clean up around the work site
- It is under no circumstances designed for excavation work
- It may be used for lifting construction materials and handling



Available	
HTL 3210	X
HTL 3510	X
HTL 4010	X
HTL 3614	✓
HTL 3617	✓
HTL 4014	✓
HTL 4017	✓
HTL 5210	✓



REF. 50154	BUCKET Toothless	1 125 L	1 500 MM	365 KG
REF. 50152	BUCKET Toothless MT Type	1 125 L	1 500 MM	365 KG

"MANITOU® is a trademark of MANITOU BF, the use of this mark is solely for the purpose of information on the compatibility of our products."

# BUCKET RANGE

## Toothless bucket

- Bucket especially designed to fit with HTL3210 / HTL3510 / HTL4010
- Recommended for picking up loose products such as sand, gravel or soil. Can also be used for clean up around the work site
- It is under no circumstances designed for excavation work
- It may be used for lifting construction materials and handling



Available	
HTL 3210	✓
HTL 3510	✓
HTL 4010	✓
HTL 3614	X
HTL 3617	X
HTL 4014	X
HTL 4017	X
HTL 5210	X



REF. 52112

BUCKET Toothless

850 L

2 250 MM

435 KG

89

# BUCKET RANGE

## Toothed bucket

- Recommended for picking up loose loads such as sand or gravel and for excavation operations. Teeth dedicated to earth moving
- It can be used on all types of low abrasion ground and is perfectly suited to construction and excavation work.



Available	
HTL 3210	X
HTL 3510	X
HTL 4010	X
HTL 3614	✓
HTL 3617	✓
HTL 4014	✓
HTL 4017	✓
HTL 5210	✓



REF. 50111

BUCKET Toothleed

900 L

2 450 MM

8

587 KG

90

# BUCKET RANGE

## 4 in 1 bucket

- Recommended for picking up loose loads such as sand or gravel and for excavation operations. Teeth dedicated to earth moving
- It can be used on all types of low abrasion ground and is perfectly suited to construction and excavation work



Available	
HTL 3210	X
HTL 3510	X
HTL 4010	X
HTL 3614	✓
HTL 3617	✓
HTL 4014	✓
HTL 4017	✓
HTL 5210	✓

★  Hydraulic kit mandatory (52021/50021)



REF. 50113



850 L



2 450 MM



8



636 KG

92

3

## **GRAB RANGE**

# GRAB RANGE

## Grab bucket recycling

- Compact & multifunction – suitable for recycling industry
- Open measurement: 1.50 m, can get the grapple open against a wall
- Removable sides for better flexibility
- Handling material with a density  $\leq 1000 \text{ kg/m}^3$



Available	
HTL 3210	✓
HTL 3510	✓
HTL 4010	✓
HTL 3614	X
HTL 3617	X
HTL 4014	X
HTL 4017	X
HTL 5210	X

★  Hydraulic kit mandatory (52021/50021)



REF. 52174

GRAB BUCKET recycling



1 500 L



2 300 MM



10



909 KG

94

# GRAB RANGE

## Grab bucket Forged teeth

- Compact & multifunction – suitable for agricultural
- Open measurement: 1.50 m, can get the grapple open against a wall
- Removable sides for better flexibility
- Handling material with a density  $\leq 1000 \text{ kg/m}^3$



Available	
HTL 3210	✓
HTL 3510	✓
HTL 4010	✓
HTL 3614	X
HTL 3617	X
HTL 4014	X
HTL 4017	X
HTL 5210	X

▪ Forged teeth

★  Hydraulic kit mandatory (52021/50021)



REF. 52129	GRAB BUCKET Forged Teeth	1 350 L	2 300 MM	10	685 KG
------------	--------------------------	---------	----------	----	--------

95



# GRAB RANGE

## Grab pipe

- Mining, oil & gas and construction solution
- Increases working safety & output on all pipe handling applications



Available	
HTL 3210	X
HTL 3510	✓
HTL 4010	✓
HTL 3614	X
HTL 3617	X
HTL 4014	✓
HTL 4017	✓
HTL 5210	✓

★  Hydraulic kit mandatory (52021/50021)



REF. 52146 / 50146



GRAB Pipe

4 700 KG at 500 MM



125 x 45 1 200 MM



1 500 MM



900 KG

96

# GRAB RANGE

## Log clamp

- Increased capacity for a massive work output in forestry handling application
- **3T maximum load capacity**



Available	
HTL 3210	X
HTL 3510	✓
HTL 4010	✓
HTL 3614	X
HTL 3617	X
HTL 4014	✓
HTL 4017	✓
HTL 5210	✓

★  Hydraulic kit mandatory (52021/50021)

★



REF. 52157/50157



Log BUCKET



3 000 KG

1 500 MM



900 KG

97

4

## **PIKES RANGE**

# PIKES RANGE

## Bale forks 6 pikes

- Simple and easy solution for bale handling
- Simultaneous handling of 3 bales
- Foldable tines
- Capacity of **2,4 T**
- For recycling and logistic environment



Available	
HTL 3210	X
HTL 3510	✓
HTL 4010	X
HTL 3614	X
HTL 3617	X
HTL 4014	✓
HTL 4017	✓
HTL 5210	✓



REF. 52161/50161

Bale forks 6 pikes

2 400 KG

2 000 MM

361 KG

99

# PIKES RANGE

## Bale forks 2 pikes

- Simple and easy solution for bale handling
- Capacity **800 kg**
- Foldable tines
- For recycling and logistic environment



Available	
HTL 3210	✓
HTL 3510	✓
HTL 4010	✓
HTL 3614	✓
HTL 3617	✓
HTL 4014	✓
HTL 4017	✓
HTL 5210	✓



REF. 52162/50162

Bale forks 2 pikes

800 KG

1 260 MM

169 KG

10  
0

# 5

## **JIB RANGE**



# JIB RANGE

## Frame mounted hook

- Very compact fixed hook maintaining the machine's stability & capacity till 4T
- Safety: homologated self locking swivel hook
- Basic attachment for safe suspended load handling
- Capacity **4T**



Available	
HTL 3210	✓
HTL 3510	✓
HTL 4010	✓
HTL 3614	✓
HTL 3617	✓
HTL 4014	✓
HTL 4017	✓
HTL 5210	X



REF. 52115/50115

4 000 KG

165 MM

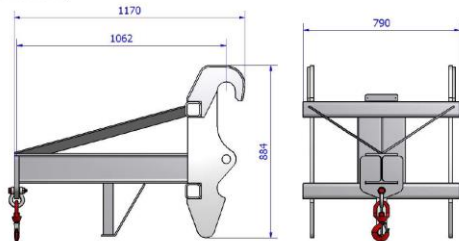
72 KG



# JIB RANGE

## 3T/1M jib with hook

- Perfect for transporting and placing beams & frames
- The jib improves the forward reach of the HTL



3 t (6615 lb) 1 m (3 ft 3 in) jib crane

Marking	Metric	Imperial
A	1,176 m	(3 ft10 in)
B	1 m	(3 ft3 in)
C	0,881 m	(2 ft11 in)
D	0,790 m	(2 ft7 in)
Weight	141 kg	(311 lb)
Maximum static load	3000 kg	(6615 lb)



Available	
HTL 3210	✓
HTL 3510	✓
HTL 4010	✓
HTL 3614	✓
HTL 3617	✓
HTL 4014	✓
HTL 4017	✓
HTL 5210	✓



REF. 52116/50116

3 000 KG

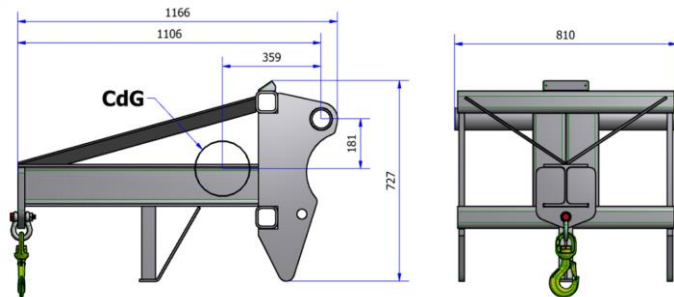
1 000 MM

141 KG

# JIB RANGE

## 3T/1M jib with hook MT Type

- Perfect for transporting and placing beams & frames
- The jib improves the forward reach of the HTL



Available	
HTL 3210	✓
HTL 3510	✓
HTL 4010	✓
HTL 3614	✓
HTL 3617	✓
HTL 4014	✓
HTL 4017	✓
HTL 5210	✓



REF. 52194/50194

3 000 KG

1 000 MM

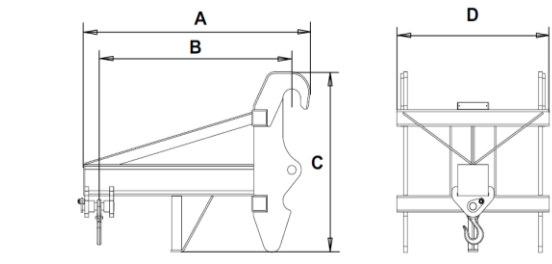
127 KG

"MANITOU® is a trademark of MANITOU BF, the use of this mark is solely for the purpose of information on the compatibility of our products."

# JIB RANGE

## 2T/2M JIB with hook

- Perfect for transporting and placing beams & frames
- The jib improves the forward reach of the HTL



2 t (4410 lb) 2 m(6 ft7 in) jib crane		
Marking	Metric	Imperial
A	2,292 m	(7 ft6 in)
B	2,185 m	(7 ft2 in)
C	0,894 m	(2 ft11 in)
D	0,790 m	(2 ft7 in)
Weight	205 kg	(452 lb)
Maximum load, machine halted	2000 kg	(4410 lb)



Available	
HTL 3210	✓
HTL 3510	✓
HTL 4010	✓
HTL 3614	✓
HTL 3617	✓
HTL 4014	✓
HTL 4017	✓
HTL 5210	X



REF. 52117/50117

2 000 KG

2 000 MM

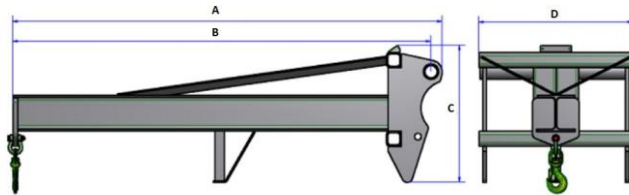
205 KG

# JIB RANGE

## 2T/2M JIB with hook MT type

- Perfect for transporting and placing beams & frames
- The jib improves the forward reach of the HTL

Available	
HTL 3210	✓
HTL 3510	✓
HTL 4010	✓
HTL 3614	✓
HTL 3617	✓
HTL 4014	✓
HTL 4017	✓
HTL 5210	X



2 t ( 4410 lb) 2m (6 ft7 in) jib crane		
Marking	Metric	Imperial
A	2,288 m	(7 ft6 in)
B	2,228 m	(7 ft3,7 in)
C	0,727 m	(2 ft4.6 in)
D	0,820 m	(2 ft8 in)
Weight	205 kg	(452 lb)
Maximum load, machine halted	2000 kg	(4410 lb)



REF. 52184/50184

2 000 KG

2 000 MM

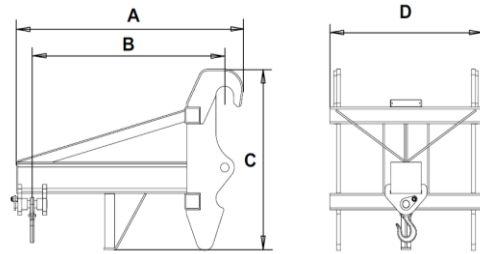
205 KG

"MANITOU® is a trademark of MANITOU BF, the use of this mark is solely for the purpose of information on the compatibility of our products."

# JIB RANGE

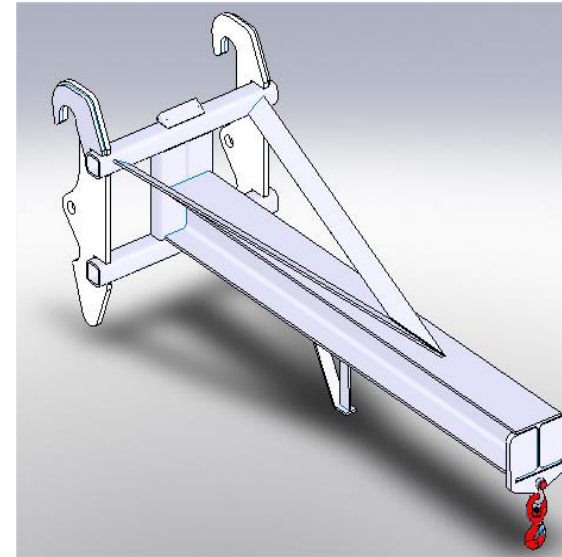
## 3T/2M JIB with hook

- Perfect for transporting and placing beams & frames
- The jib improves the forward reach of the HTL



2 t (4410 lb) 2 m(6 ft7 in) jib crane

Marking	Metric	Imperial
A	2,292 m	(7 ft6 in)
B	2,185 m	(7 ft2 in)
C	0,894 m	(2 ft11 in)
D	0,790 m	(2 ft7 in)
Weight	205 kg	(452 lb)
Maximum load, machine halted	2000 kg	(4410 lb)



Available	
HTL 3210	X
HTL 3510	X
HTL 4010	X
HTL 3614	X
HTL 3617	X
HTL 4014	X
HTL 4017	X
HTL 5210	✓



REF. 50180

3 000 KG

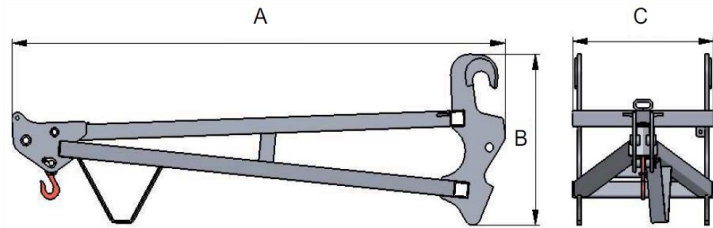
2 000 MM

205 KG

# JIB RANGE

## 1.2T/2.5M JIB with hook

- Perfect for transporting and placing beams & frames
- The jib improves the forward reach of the HTL



Available	
HTL 3210	✓
HTL 3510	✓
HTL 4010	✓
HTL 3614	✓
HTL 3617	✓
HTL 4014	✓
HTL 4017	✓
HTL 5210	✓

Fly jib 2,5 m(8 ft2 in), 1,2 t (2646 lb) on telescopic arm		
Marking	Metric	Imperial
A	2,705 m	(8 ft11 in)
B	0,880 m	(2 ft11 in)
C	0,770 m	(2 ft6 in)
Weight	206 kg	(454 lb)
Maximum load, machine halted	1200 kg	(2646 lb)



REF. 52118/50118

1 200 KG

2 500 MM

206 KG

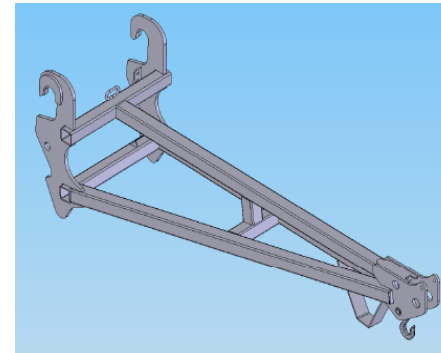
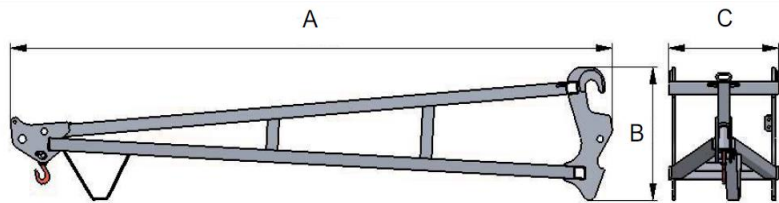
# JIB RANGE

## 0.6T/4M JIB with hook

- Perfect for transporting and placing beams & frames
- The jib improves the forward reach of the HTL



Available	
HTL 3210	✓
HTL 3510	✓
HTL 4010	✓
HTL 3614	✓
HTL 3617	✓
HTL 4014	✓
HTL 4017	✓
HTL 5210	✓



Fly jib 4 m(13 ft1 in), 0,6 t (1323 lb) on telescopic arm		
Marking	Metric	Imperial
A	4,215 m	(13 ft10 in)
B	0,880 m	(2 ft11 in)
C	0,770 m	(2 ft6 in)
Weight	276 kg	(609 lb)
Maximum load, machine halted	600 kg	(1323 lb)



REF. 52119/50119

600 KG

4 000 MM

285 KG



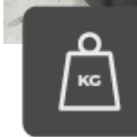
# JIB RANGE

## Hook 5.2 T

- Basic hook for safe suspended heavy load handling
- Attached to standard forks
- Heavy Duty Hook allows a variety of extra handling operations to be carried out.
- Capacity : **5.2 T**



Available	
HTL 3210	X
HTL 3510	X
HTL 4010	X
HTL 3614	X
HTL 3617	X
HTL 4014	X
HTL 4017	X
HTL 5210	✓



REF. 50164

5 200 KG

270 MM

60 KG

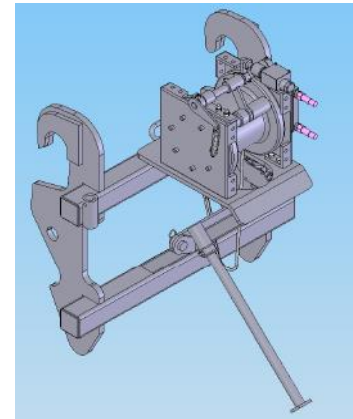
6

## **WINCH RANGE**

# WINCH RANGE

## Frame mounted with winch

- Double line pull winch
- Standard cable
- Self locking swivel hook



Available	
HTL 3210	✓
HTL 3510	✓
HTL 4010	✓
HTL 3614	✓
HTL 3617	✓
HTL 4014	✓
HTL 4017	✓
HTL 5210	✓



⚠ Hydraulic kit mandatory (52021/50021)  
 Command Kit Winch mandatory (52022/50022)



REF. 52120/50120	1 200 KG	340 MM	42 M	190 KG
REF. 52121/50121	2 400 KG	340 MM	42 M	190 KG

# WINCH RANGE JIB with winch

- Perfect for transporting and placing beams & frames
- The jib improves the forward reach of the HTL
- Turns your HTL into a crane



Available	
HTL 3210	✓
HTL 3510	✓
HTL 4010	✓
HTL 3614	✓
HTL 3617	✓
HTL 4014	✓
HTL 4017	✓
HTL 5210	✓



★

⚠ Hydraulic kit mandatory (52021/50021)  
Command Kit Winch mandatory (52022/50022)

★



REF. 52124/50124	1 200 KG	2 500 MM	17.5 M	310 KG
REF. 52125/50125	600 KG	4 000 MM	16 M	375 KG

7

# PLATFORM

# PLATFORM

## Fixed Platform (ANSI)

- Capacity: 500 kg (including 3 people)
  - Control from the cab with the deadman joystick
  - ANSI platform preconfiguration **mandatory** (code 50165)
  - Fixed basket (no rotator)
  - No extendable
- 
- **To be used with stabilizers deployed only**
  - **Compliant with the ANSI homologation**



Available	
HTL 3210	X
HTL 3510	X
HTL 4010	X
HTL 3614	X
HTL 3617	X
HTL 4014	✓
HTL 4017	✓
HTL 5210	X



 Not available for Tier IV Final engine



REF. 50163

500 KG

3 people

470 KG

2.4 x 1.2 x 1.15

# PLATFORM

## Extending & Slewing Platform

- Extendable from 2,4m to 4m -> Mechanic extension
  - Platform capacity : 500 kg (including 3 people)
  - Slewing platform +/- 90°
  - Command with upper control panel into the platform (can be moved)
  - Drive Control - Ease of drive operation – joystick with integrated thumb steer
  - Pedal dead man
  - Non-slip metal floor
- **To be used with stabilizers only**
  - **Compliant with homologation :**
    - CE / EN280: 2015
    - EAC GOST R53037
    - TRUA



Available	
HTL 3210	X
HTL 3510	X
HTL 4010	X
HTL 3614	X
HTL 3617	X
HTL 4014	✓
HTL 4017	✓
HTL 5210	X

 Not available for Tier III engine



REF. 50186    500 KG    3 people    800 KG    2.4 x 1.2 x 1.15





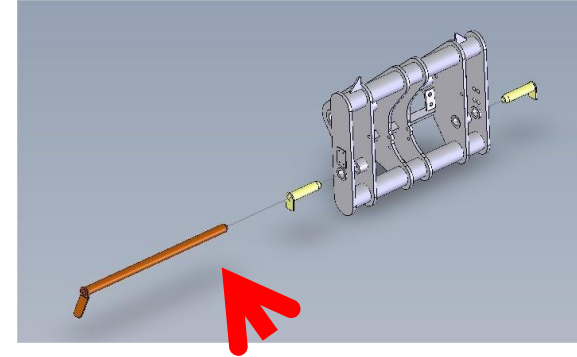
8

## MISCELLANEOUS

# MISCELLANEOUS

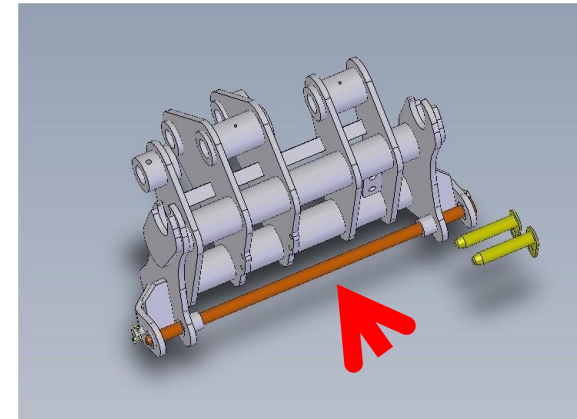
## Attachment locking single axe

- HAULOTTE tool carriage



REF. 52106/50106

- MANITOU tool carriage



REF. 52107/50107

Available	
HTL 3210	✓
HTL 3510	✓
HTL 4010	✓
HTL 3614	✓
HTL 3617	✓
HTL 4014	✓
HTL 4017	✓
HTL 5210	✓

Available	
HTL 3210	✓
HTL 3510	✓
HTL 4010	✓
HTL 3614	✓
HTL 3617	✓
HTL 4014	✓
HTL 4017	✓
HTL 5210	✓

"MANITOU® is a trademark of MANITOU BF, the use of this mark is solely for the purpose of information on the compatibility of our products."

"MANITOU® is a trademark of MANITOU BF, the use of this mark is solely for the purpose of information on the compatibility of our products."

# MISCELLANEOUS

## High extension forks carriage

- Extension 50 cm



Available	
HTL 3210	✓
HTL 3510	✓
HTL 4010	✓
HTL 3614	✓
HTL 3617	✓
HTL 4014	✓
HTL 4017	✓
HTL 5210	✓



























REF. 52103/50103

1 150 MM

20 KG

# SYMBOL TABLE

	Head of the boom
	Tires
	Visibility
	Cabin
	Engine
	Forks Dimension
	Width
	Capacity
	No predisposition required
	Hydraulic kit required
	Length, Width and Height
	Empty weight

	Tool carriage
	Width
	Height
	Forward reach
	Hook capacity
	Grab capacity
	Clamp capacity
	Number of teeth
	Cable length
	Load capacity
	Capacity with people
	Number of people