



HA33 JE

Excellent maneuverability

- Compact size of 4 ft 5 in width
- Stowed height can pass through a standard doorway
- 136°(+64°/-72°) fly jib range of motion
- Tight turning radius (9 ft 4 in)

Optimal productivity and comfort

- 21 ft 4 in outreach
- Long working cycles
- Full proportional controls

Reliable and easy to maintain



© Aline Perrier



HA33 JE

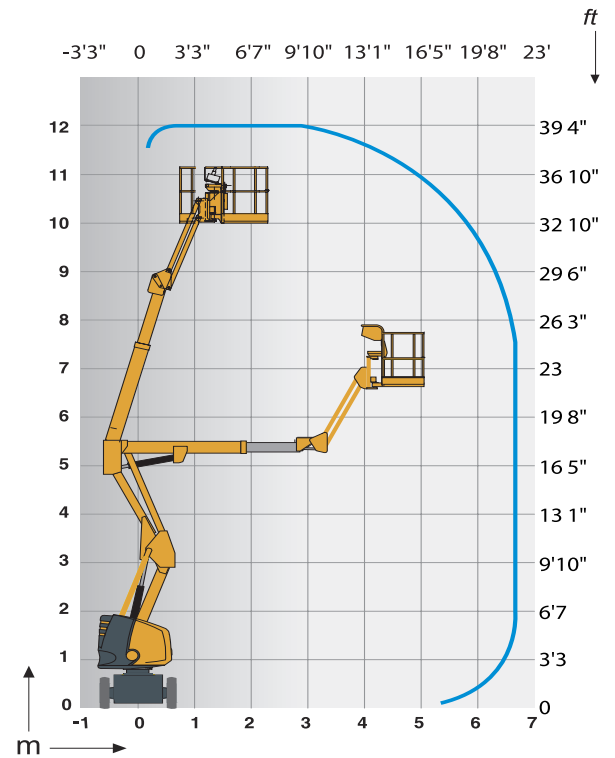


ELECTRIC ARTICULATING BOOMS

TECHNICAL DATA

HA33 JE

Working height	38 ft 10 in
Platform height	32 ft 10 in
Horizontal outreach	21 ft 4 in
Up and over clearance	17 ft 5 in
Lift capacity	500 lbs
Vertical jib rotation	136° (+64/-72)
A Length	17 ft 9 in
B Width	4 ft 5 in
C Height - stowed	6 ft 9 in
Transport height	8 ft 6 in
D Wheelbase	5 ft 11 in
E Ground clearance	6 in
F x G Platform size	3 ft 11 in x 2 ft 7 in
Tailswing	0 in
Drive speed	0.4 - 2.8 mph
Turning radius - outside	7 ft 10 in
Turntable rotation	355 °
Platform rotation	170° (+80/-90)
Batteries	48 V - 345 Ah (C5)
Gradeability	25 %
Tires	6.00x12 in
Hydraulic tank capacity	8 gal
Weight	13,109 lbs

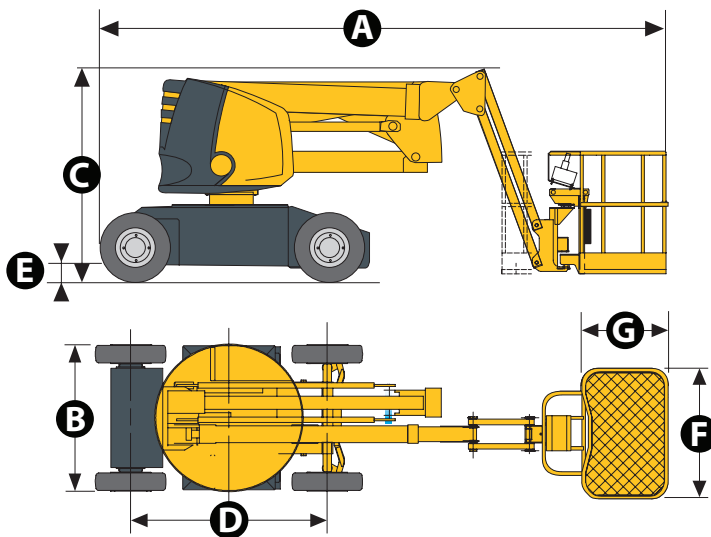


STANDARD EQUIPMENT

- 2 wheel drive
- 48 V DC drive system
- Solid state battery charger
- Solid non-marking tires
- Towing hooks and lifting points
- Descent alarm
- Hour meter
- Low voltage interrupt
- Battery charge indicator
- Tilt alarm
- AC power to the platform
- Automatic platform leveling
- Fully proportional controls
- Electronic horn
- Auxiliary power in the platform for emergency down

OPTIONS AND ACCESSORIES

- Centralized battery filling
- Flashing beacon
- Motion alarm (travel and elevate)
- Centralized battery filling
- 360 Ah traction batteries
- 70 W platform working light
- Air line to platform
- Remote electric brake release
- Biodegradable oil
- Large basket option 4ft 11in x 2ft 7in (lift capacity 441 lbs)



2420003810 - We reserve the right to modify the technical characteristics of this document without notice - 09/2016